

Compact Cylinder

C-CQS Series

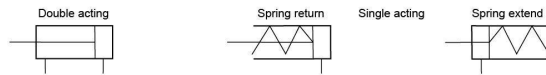


Standard Specification

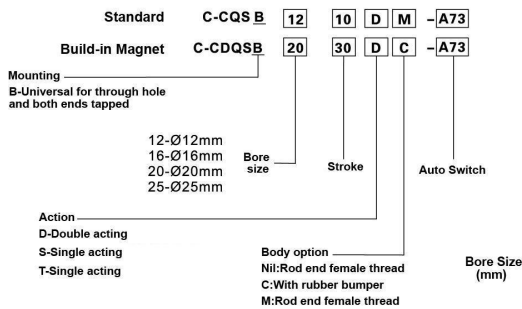
Bore Size (mm)	12	16	20	25
Fluid	Air			
Action	Double acting, Single acting: Spring return/extend			
Proof Pressure	1.5MPa{15.3kgf/cm ² }			
Max. Operating Pressure	1.0MPa{10.2kgf/cm ² }			
Ambient & Fluid Temperature	-10°C~+60°C			
Rod End Thread	Female thread(Standard), Male thread(OPTION)			
Cushion	Nil			
Piston Speed	50~500mm/s			
Stroke Length Tolerance	+1.0 0			
* Lubrication	Not required			
Mounting	Through hole, both ends tapped(Universal)			
Port Size	M5×0.8			

* Please use ISOVG32 if you want to use lubrication.

Symbol



How To Order



Ordering Sample

- ① Bore size: 16, stroke: 10, double acting, rod end female thread, the right model: C-CQSB16-10D-
- ② Bore size: 25, stroke: 50, double acting with built-in magnet, rod end male thread, rubber bumper the right model: C-CDQSB25-50DCM-

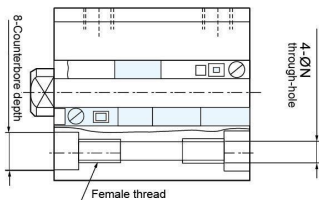
Stroke/Model Of Auto Switch

Bore Size (mm)	Standard Stroke (mm)		Auto Switch	
	Double acting	Single acting	Adit mounting type	
12	5,10,15	5, 10	A93(V)	A96(V)
16	20,25,30,		M9N(V)	F9NW
20	5,10,15,20,25	5, 10	M9B(V)	M9P(V)
25	30,35,40,45,50		F9BA	

Feature

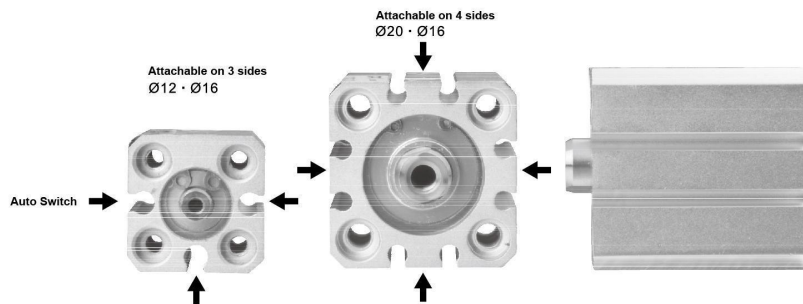
Mounting Easily

Universal for through hole and both ends tapped



Save space

Mini auto switch mounting inside the cylinder



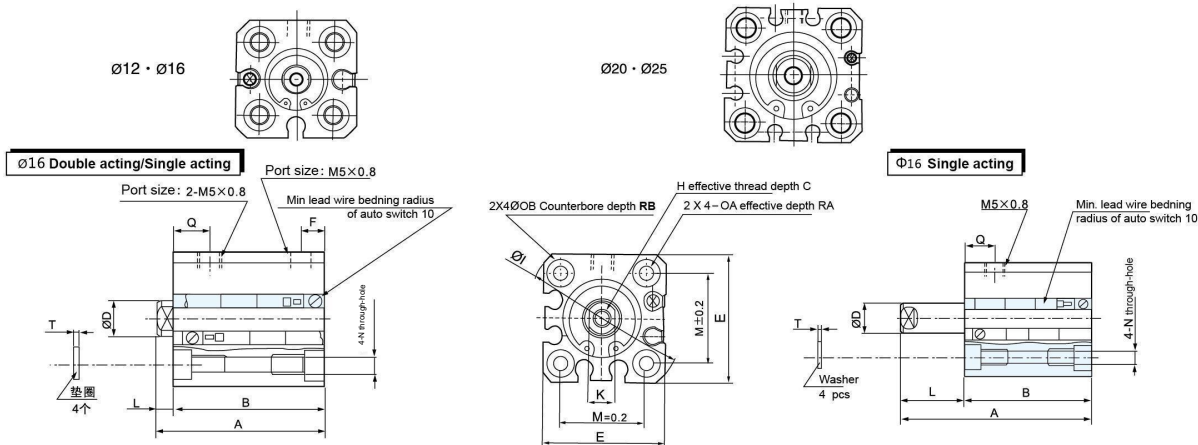
Several sides for mounting auto switch
(3 sides for Ø12 · Ø16 , 4 sides for Ø20 · Ø25)

Compact Cylinder

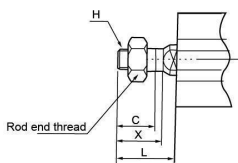
C-CQS Series

Dimension(mm)

Universal for through hole and both ends tapped
/C-CQSB、C-CDQSB

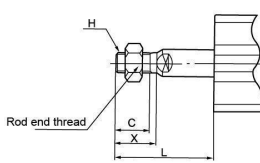


Rod end male thread(Double acting/Single acting)



Applicable Bore Size (mm)	C	H	L	X
12	9	M5×0.8	14	10.5
16	10	M6×1.0	15.5	12
20	12	M8×1.25	18.5	14
25	15	M10×1.25	22.5	17.5

Rod end male thread(Single acting)



Applicable Bore Size (mm)	C	H	L		X
			5 ST	10 ST	
12	9	M5×0.8	19	24	10.5
16	10	M6×1.0	20.5	25.5	12
20	12	M8×1.25	23.5	28.5	14
25	15	M10×1.25	27.5	32.5	17.5

Dimension for double acting/single acting

Applicable Bore Size (mm)	Standard													
	C	D	E	H	I	K	M	N	OA	OB	RA	RB	T	Q
12	6	6	25	M3×0.5	32	5	15.5	3.5	M4×0.7	6.5	7	4	0.5	7.5
16	8	8	29	M4×0.7	38	6	20	3.5	M4×0.7	6.5	7	4	0.5	7.5
20	7	10	36	M5×0.8	47	8	25.5	5.4	M6×1.0	9	10	7	1	9
25	12	12	40	M6×1.0	52	10	28	5.4	M6×1.0	9	10	7	1	11

Double acting

Applicable Bore Size (mm)	Stroke Range (mm)	Basic Type						Built-in Magnet	
		A	B	F	L	Q	A	B	
12	5~30	20.5+st	17+st	5	3.5	7.5	25.5+st	22+st	
16	5~30	20.5+st	17+st	5	3.5	7.5	25.5+st	22+st	
20	5~50	24+st	19.5+st	5.5	4.5	9	34+st	29.5+st	
25	5~50	27.5+st	22.5+st	5.5	5	11	37.5+st	32.5+st	

Single acting

Applicable Bore Size (mm)	Stroke Range (mm)	Standard								Built-in Magnet			
		A		B		F	L	A		B			
		5 ST	10 ST	5 ST	10 ST			5 ST	10 ST	5 ST	10 ST		
12	5,10	25.5	30.5	22	27	5	3.5	30.5	35.5	27	32		
16		25.5	30.5	22	27	5	3.5	30.5	35.5	27	32		
20		29	34	24.5	29.5	5.5	4.5	39	44	34.5	39.5		
25		32.5	37.5	27.5	32.5	5.5	5	42.5	47.5	37.5	42.5		

Special Cylinder

Type Model
 Double pistons C-C□QSWB Bore Size - Stroke D
 Non-rotating piston C-C□QSKB Bore Size - Stroke D



Single acting

Applicable Bore Size (mm)	Stroke Range (mm)	Standard								Built-in Magnet			
		A		B		L		Q	A		B		
		5 ST	10 ST	5 ST	10 ST	5 ST	10 ST		5 ST	10 ST			
12	5,10	30.5	40.5	22	27	8.5	13.5	7.5	35.5	45.5	27	32	
16		30.5	40.5	22	27	8.5	13.5	7.5	35.5	45.5	27	32	
20		34	39	24.5	29.5	9.5	14.5	9	44	49	34.5	39.5	
25		37.5	42.5	27.5	32.5	10	15	11	47.5	52.5	37.5	42.5	