

# 真空吸盘 ZP3P 系列

## Vertical vacuum inlet with buffer

纵向真空引出型  
带缓冲器

### ZP3P-T20PTSFJ10-B5

Pad diameter

symbol	Pad diameter
20	ø20
25	ø25
35	ø35
50	ø50

Pad material

symbol	material
SF	Silicone rubber

Buffer specification

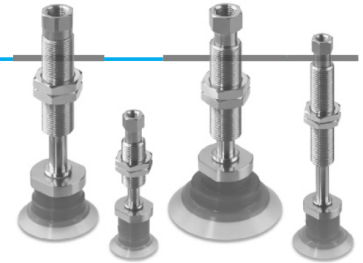
J	Non-rotating
K	Rotating

• Vacuum inlet

	Stroke	Size	ø20, ø25	ø35, ø50
Female thread	B5	M5×0.8	●	-
	B01	Rc1/8	-	●

• Stroke (■)

symbol	Stroke	ø20, ø25	ø35, ø50
10	10mm	●	●
20	20mm	●	●

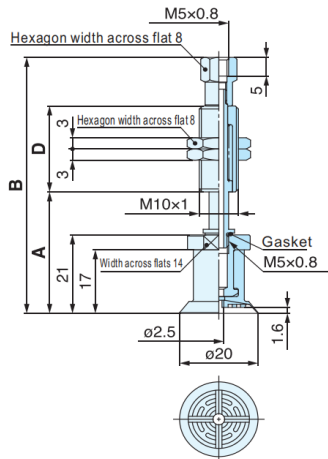


## Specifications

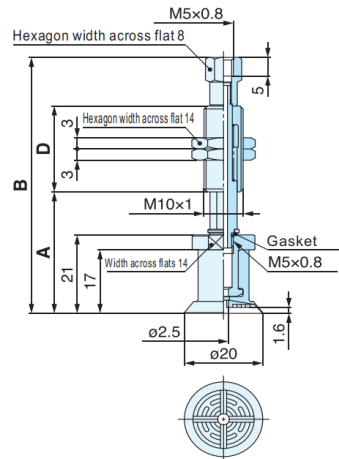
Pad diameter	Buffer specification	stroke	Tightening torque	Connction thread	Spring reactive force	
					At 0 stroke	At full stroke
ø20, ø25	J/K	10, 20	2.5~3.5	M10×1	1.0	3.0
ø35, ø50	J/K	10, 20	6.5~7.5	M14×1	2.0	5.0

## Dimensions: With Buffer

### ZP3P-T20PTSFJ■-B5



### ZP3P-T20PTSFK■-B5



## Dimensions

Part no.	A	B	D	Weight
ZP3P-T20PTSFJ10-B5	32.5	68.5	23	26.7
ZP3P-T20PTSFJ20-B5	42.5	106.5	51	40.8

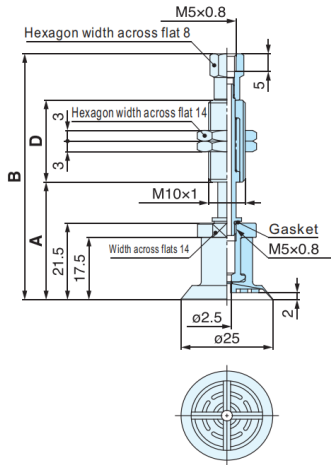
## Dimensions

Part no.	A	B	D	Weight
ZP3P-T20PTSFK10-B5	32.5	68.5	23	28.5
ZP3P-T20PTSFK20-B5	42.5	106.5	51	41.8

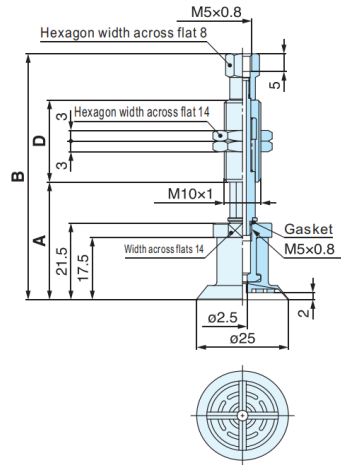
# ZP 3P 系列 vacuum pad

## Dimensions: With Buffer

### ZP3P-T25PTSFJ-B5



### ZP3P-T25PTSFK-B5



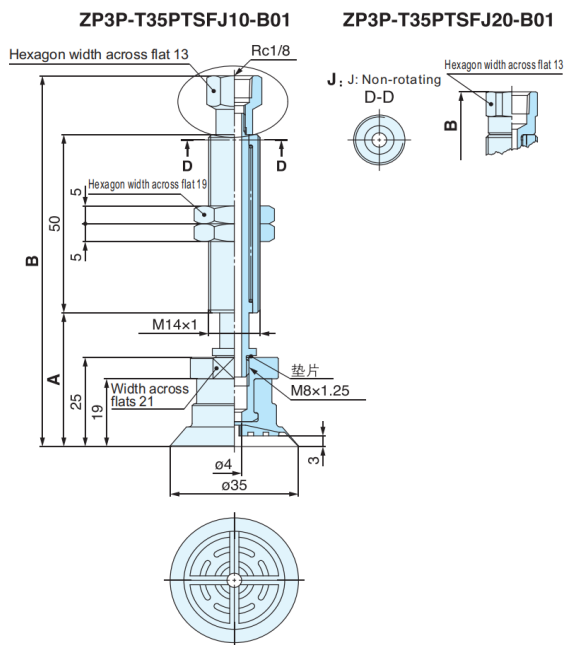
### Dimensions

Part no.	A	B	D	Weight(g)
ZP3P-T25PTSFJ10-B5	33	69	23	27.1
ZP3P-T25PTSFJ20-B5	43	107	51	41.2

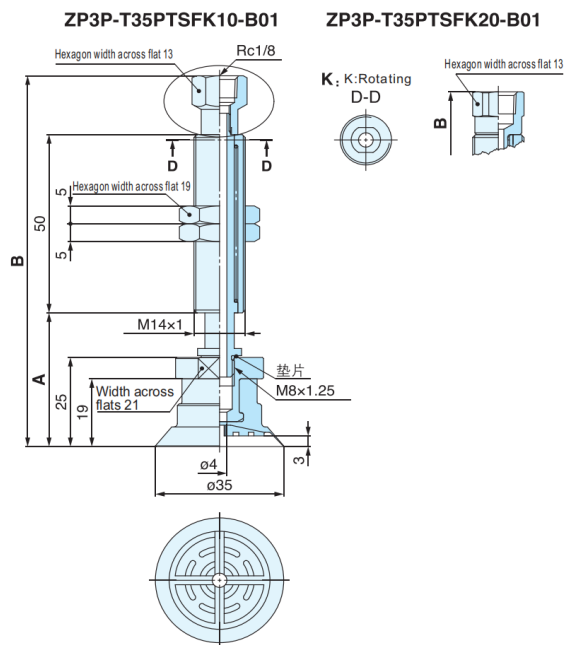
### Dimensions

Part no.	A	B	D	Weight(g)
ZP3P-T25PTSFK10-B5	33	69	23	28.5
ZP3P-T25PTSFK20-B5	43	107	51	42.2

### ZP3P-T35PTSFJ-B01



### ZP3P-T35PTSFK-B01



### Dimensions

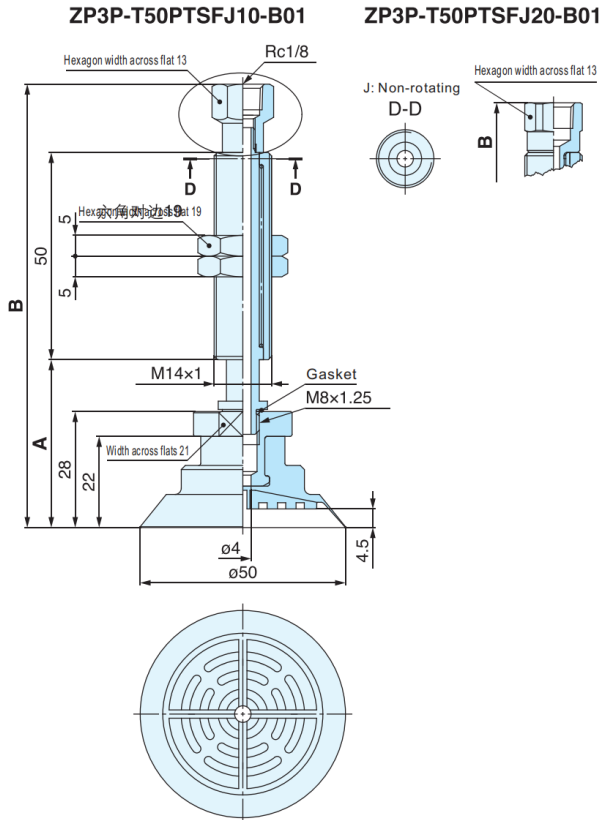
Part no.	A	B	Weight(g)
ZP3P-T35PTSFJ10-B01	37.5	104	93.6
ZP3P-T35PTSFJ20-B01	47.5	109.5	94.6

### Dimensions

Part no.	A	B	Weight(g)
ZP3P-T35PTSFK10-B01	37.5	104	93.0
ZP3P-T35PTSFK20-B01	47.5	109.5	94.1

Pad with Adapter

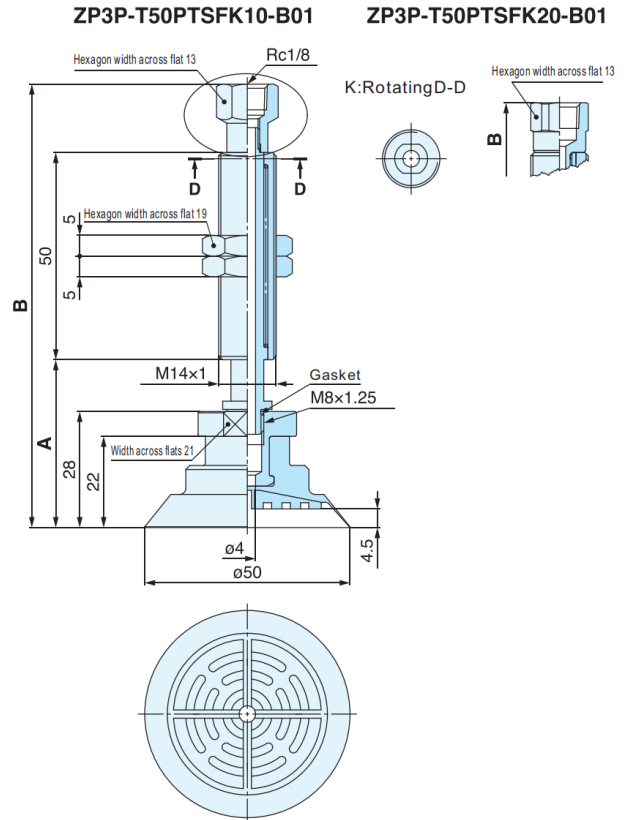
ZP3P-T50PTSFJ-B01



Dimensions

Part no.	A	B	Weight(g)
ZP3P-T50PTSFJ10-B01	40.5	107	101.3
ZP3P-T50PTSFJ20-B01	50.5	112.5	102.3

ZP3P-T50PTSFK-B01

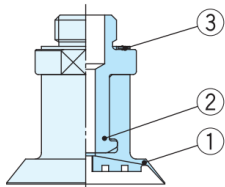


Dimensions

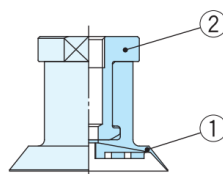
Part no.	A	B	Weight(g)
ZP3P-T50PTSFK10-B01	40.5	107	100.7
ZP3P-T50PTSFK20-B01	50.5	112.5	101.8

### Pad with Adapter

Male thread



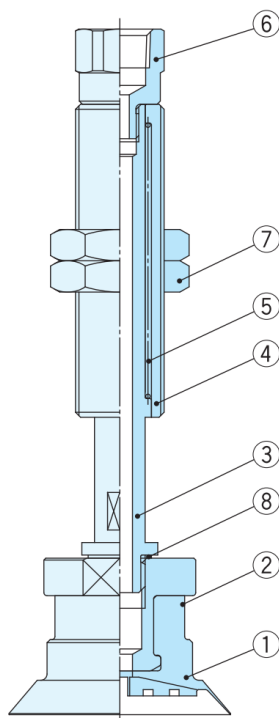
Female thread



#### Component Parts

No.	Description	Material(Surface treatment)	Note
1	Vacuum pad	Silicone rubber	
2	Adapter	Aluminum alloy (Clear anodized)	
3	Gasket	Stainless steel/ NBR	Thread size: Other than M12*1.75
	Seal washer	Structural steel/NBR	Thread size: M12*7.5

### Pad with Buffer



#### Component Parts

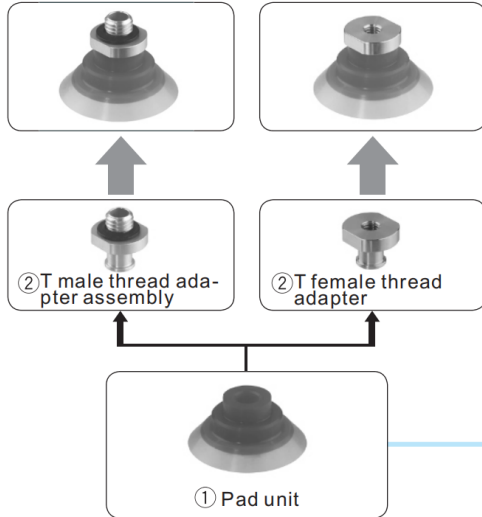
No.	Description	Material(Surface treatment)
1	Vacuum pad	Silicone rubber
2	Adapter	Aluminum alloy (Clear anodized)
3	Piston rod	Stainless steel
4	Buffer body	Brass(ELectroless nickel plating)
5	Return spring	Stainless steel
6	Buffer adapter	Brass(ELectroless nickel plating)
7	Nut	Steel (Zinc chromated)
8	Gasket	Stainless steel/NBR

Parts Structure

真空吸盘 ZP3P 系列

With T Type Adapter

ZP3P-T(20~50)PTSF-(A5/AG1/A12/AG2/AG3)  
ZP3P-T(20~50)PTSF-(B5/B8)



② T male thread adapter assembly (With gasket)

Part no. \ Pad diameter	20	25	35	50
ZP3PA-T1-A5	●	●	—	—
ZP3PA-T1-AG1	●	●	—	—
ZP3PA-T2-A12	—	—	●	●
ZP3PA-T2-AG2	—	—	●	●
ZP3PA-T2-AG3	—	—	●	●

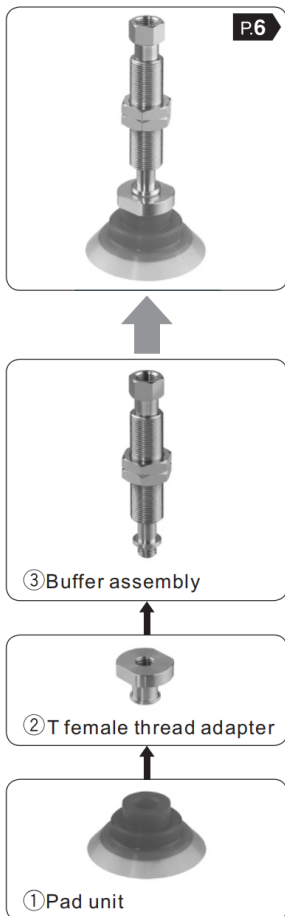
② T female thread adapter

Part no. \ Pad diameter	20	25	35	50
ZP3PA-T1-B5	●	●	—	—
ZP3PA-T2-B8	—	—	●	●

① Pad unit

Part no.
ZP3P-20PTSF
ZP3P-25PTSF
ZP3P-35PTSF
ZP3P-50PTSF

With Buffer



③ Buffer assembly

Part no. \ Pad diameter	20	25	35	50
ZPB2(J/K)10-B5	●	●	—	—
ZPB2(J/K)20-B5	●	●	—	—
ZPB3(J/K)10-B01	—	—	●	●
ZPB3(J/K)20-B01	—	—	●	●

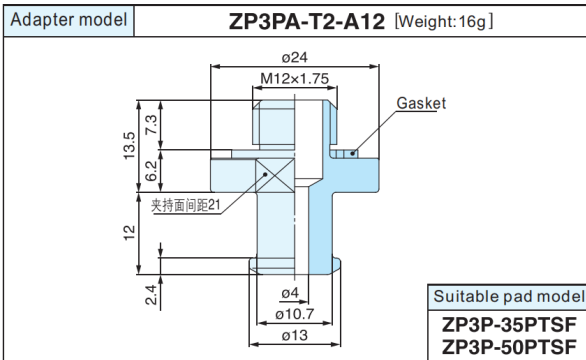
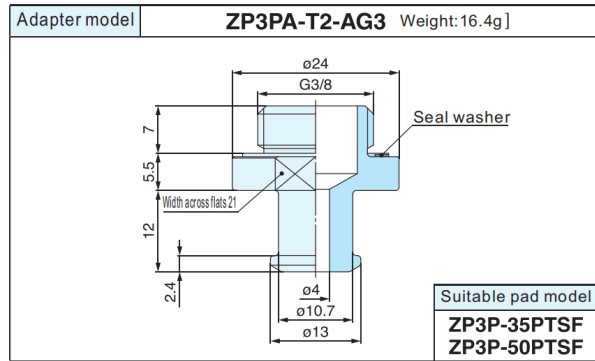
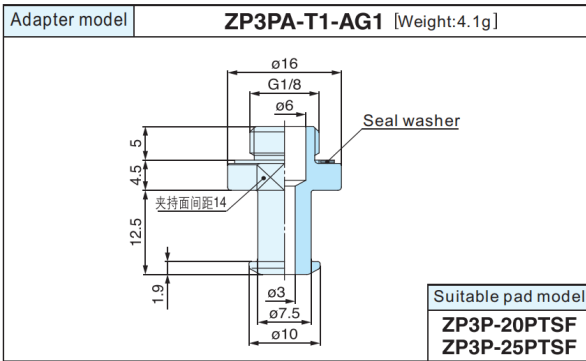
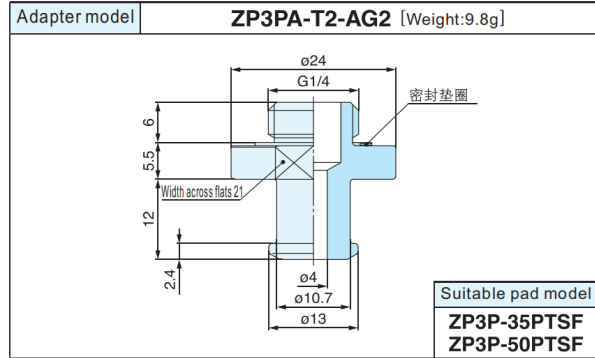
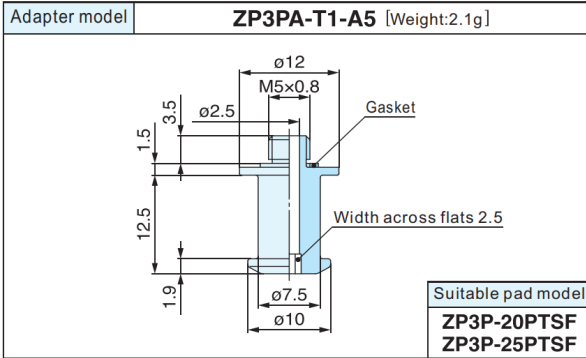
② T female thread adapter

Part no. \ Pad diameter	20	25	35	50
ZP3PA-T1-B5	●	●	—	—
ZP3PA-T2-B8	—	—	●	●

① Pad unit

Part no.
ZP3P-20PTSF
ZP3P-25PTSF
ZP3P-35PTSF
ZP3P-50PTSF

Male thread adapter



Female thread adapter

