

# ZP3P系列 vacuum pad

## How to order

Vertical vacuum inlet  
with adapter

## ZP3P-T20PTSF-A5

Pad diameter

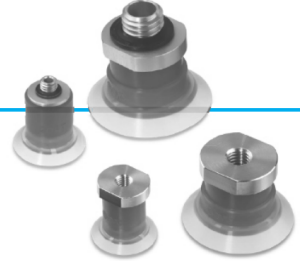
symbol	Pad dia.
20	ø20
25	ø25
35	ø35
50	ø50

Pad material

mark	material
SF	Silicone rubber

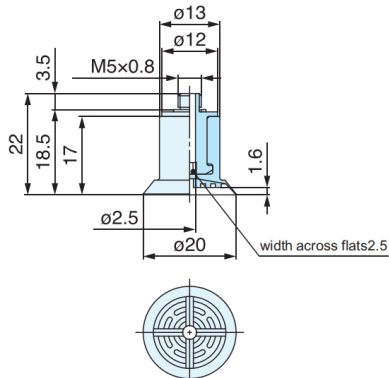
Mounting thread size

	symbol	安装连接 size	ø20	ø25	ø35	ø50
Male thread	A5	M5 × 0.8	●	●	—	—
	A12	M12 × 1.75	—	—	●	●
	AG1	G1/8	●	●	—	—
	AG2	G1/4	—	—	●	●
Female thread	B5	M5 × 0.8	●	●	—	—
	B8	M8 × 1.25	—	—	●	●

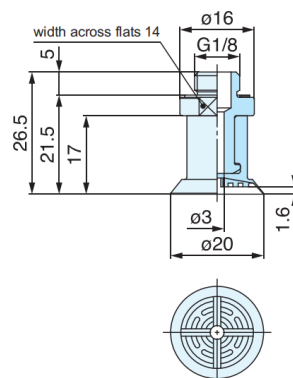


## Dimensions: With Male Thread Adapter

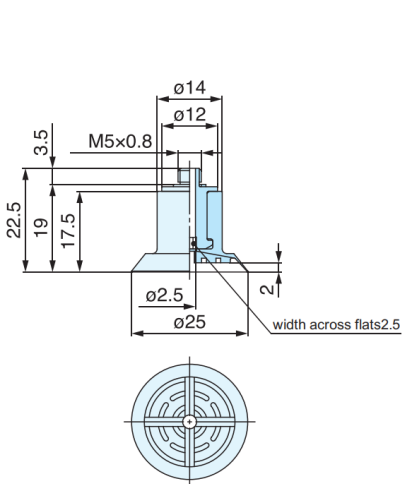
ZP3P-T20PTSF-A5 [weight:3.9g]



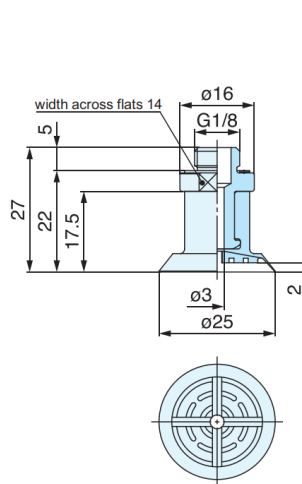
ZP3P-T20PTSF-AG1 [weight:5.9g]



ZP3P-T25PTSF-A5 [weight:4.3g]

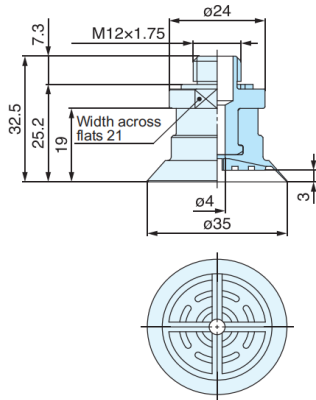


ZP3P-T25PTSF-AG1 [weight:6.3g]

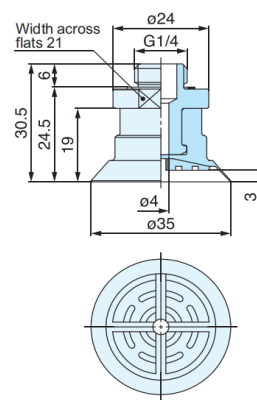


Dimensions: With Male Thread Adapter

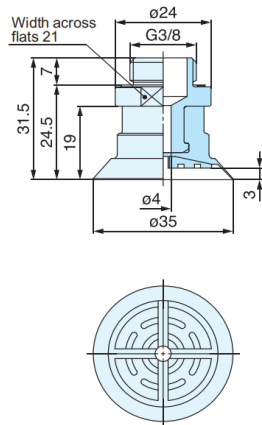
ZP3P-T35PTSF-A12 [weight:20.7g]



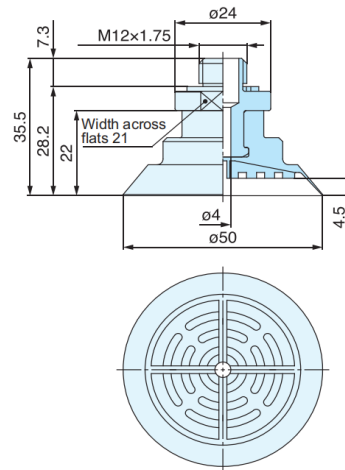
ZP3P-T35PTSF-AG2 [weight:14.5g]



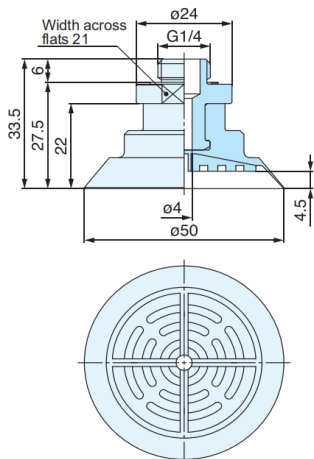
ZP3P-T35PTSF-AG3 [weight:21.1g]



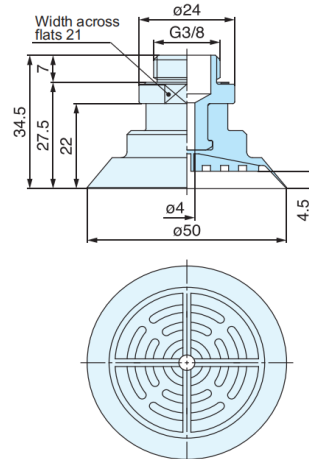
ZP3P-T50PTSF-A12 [weight:28.4g]



ZP3P-T50PTSF-AG2 [weight:22.2g]



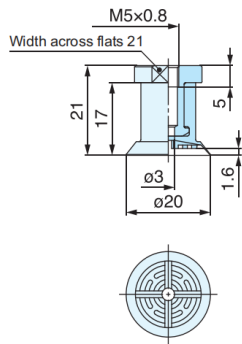
ZP3P-T50PTSF-AG3 [weight:28.8g]



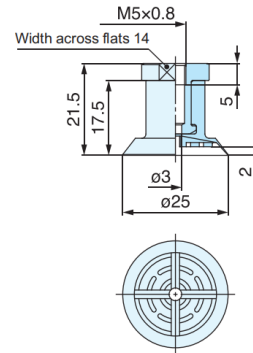
# ZP3P 系列 vacuum pad

## Dimensions: With Male Thread Adapter

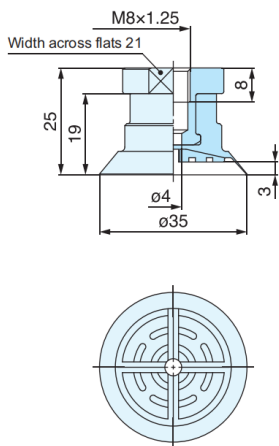
**ZP3P-T20PTSF-B5** [weight:4.9g]



**ZP3P-T25PTSF-B5** [weight:5.3g]



**ZP3P-T35PTSF-B8** [weight:13.2g]



**ZP3P-T50PTSF-B8** [weight:20.9g]

