

Compact Cylinder

C-SDAD series



How To Order

C-SDAD	S	20	×	30	-	B
Action	Auto Switch	Bore Size		Stroke		Thread
C-SDAD Double rod	S : With auto switch Nil: Without auto switch					Nil: Female thread B : Male thread N : Without thread

Ordering Sample

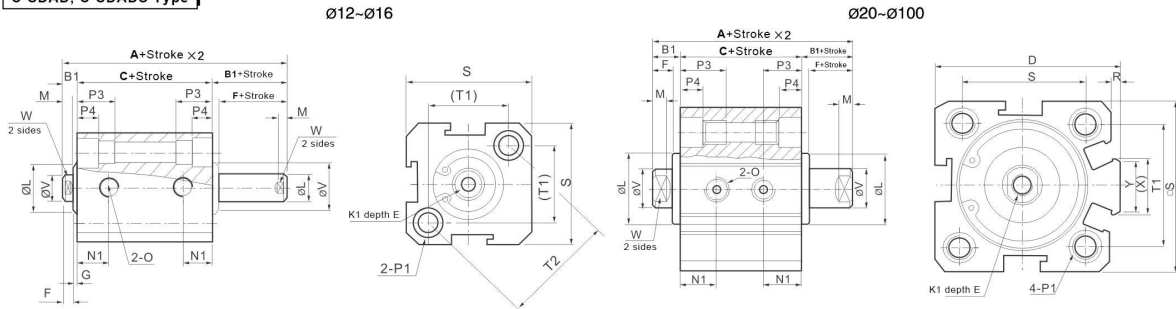
- Bore size:20mm, stroke:30mm, with auto switch, female thread, double rod compact cylinder, the right model: C-SDADS-20x30.
- Bore size:63mm, stroke:35mm, without auto switch,without thread, double rod compact cylinder, the right model: C-SDAD-63x35-N.

Symbol



Dimension (mm)

C-SDAD, C-SDADS Type



Form Bore Size Symbol	Without Auto Switch		With Auto Switch		B1	D	Stroke ≤ 10		Stroke > 10		F	G	K1	L	M	N1	
	A	C	A	C			E									S = 5	S > 5
12	27	17	37	27	5	-	6		4	1	M3 X 0.5	10.2	3	5.5	6.3		
16	29.5	18.5	39.5	28.5	5.5	-	6		4	1.5	M3 X 0.5	11	3	6.5	7.3		
20	30.5	19.5	40.5	29.5	5.5	36	8 (6.5 when stroke is 5)		4	1.5	M4 X 0.7	13	3	7.5			
25	33	21	43	31	6	42	10 (7 when stroke is 5)		4	2	M5 X 0.8	17	3	8			
32	38.5	24.5	48.5	34.5	7	50	8	12	4	3	M6 X 1	22	3	8	9		
40	40	26	50	36	7	58.5	8	12	4	3	M8 X 1.25	28	3	8	10		
50	46	28	56	38	9	71.5	8	15	5	4	M10 X 1.5	38	3	8	10.5		
63	50	32	60	42	9	84.5	10	15	5	4	M10 X 1.5	40	3	9.5	11.8		
80	63	41	73	51	11	104	13	20	6	5	M14 X 1.5	45	4	11.5	14.5		
100	75	51	85	61	12	124	18	20	7	5	M18 X 1.5	55	4	16	20.5		

Bore Size Symbol	O	P1	P3	P4	R	S	T1	T2	V	W	X	Y
12	M5 X 0.8	Both sides: $\varnothing 6.5$ thread M5x0.8 through-hole: $\varnothing 4.2$	12	4.5	-	25	16.3	23	6	5	-	-
16	M5 X 0.8	Both sides: $\varnothing 6.5$ thread M5x0.8 through-hole: $\varnothing 4.2$	12	4.5	-	29	19.8	28	6	5	-	-
20	M5 X 0.8	Both sides: $\varnothing 6.5$ thread M5x0.8 through-hole: $\varnothing 4.2$	14	4.5	2	34	24	-	8	6	11.3	10
25	M5 X 0.8	Both sides: $\varnothing 8.2$ thread M6x1.0 through-hole: $\varnothing 4.6$	15	5.5	2	40	28	-	10	8	12	10
32	PT1/8	Both sides: $\varnothing 8.2$ thread M6x1.0 through-hole: $\varnothing 4.6$	16	5.5	6	44	34	-	12	10	18.3	15
40	PT1/8	Both sides: $\varnothing 10$ thread M8x1.25 through-hole: $\varnothing 6.5$	20	7.5	6.5	52	40	-	16	14	21.3	16
50	PT1/4	Both sides: $\varnothing 11$ thread M8x1.25 through-hole: $\varnothing 6.5$	25	8.5	9.5	62	48	-	20	17	30	20
63	PT1/4	Both sides: $\varnothing 11$ thread M8x1.25 through-hole: $\varnothing 6.5$	25	8.5	9.5	75	60	-	20	17	28.7	20
80	PT3/8	Both sides: $\varnothing 14$ thread M12x1.75 through-hole: $\varnothing 9.2$	25	10.5	10	94	74	-	25	22	36	26
100	PT3/8	Both sides: $\varnothing 17.5$ thread M14x2 through-hole: $\varnothing 11.3$	30	13	10	114	90	-	32	27	35	26