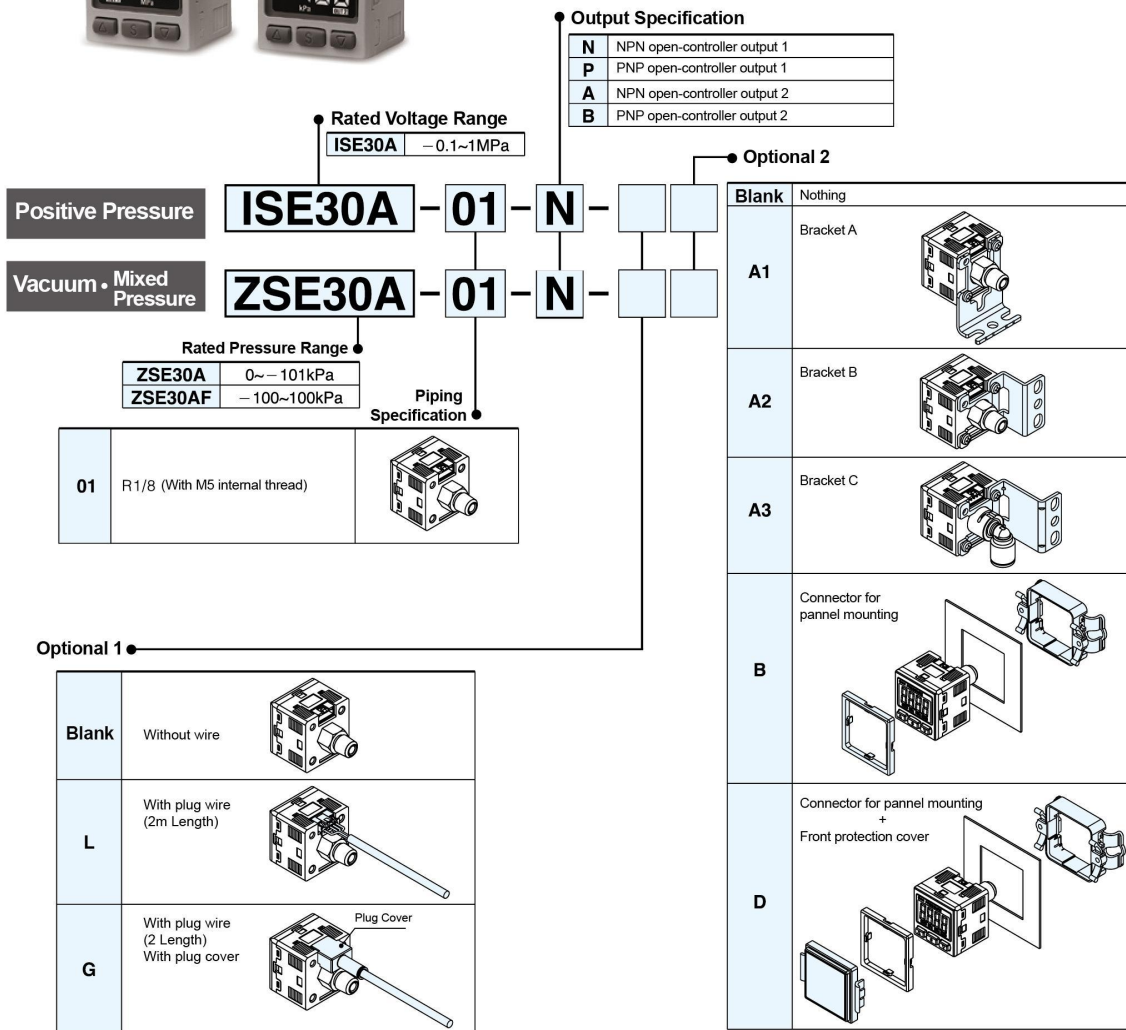


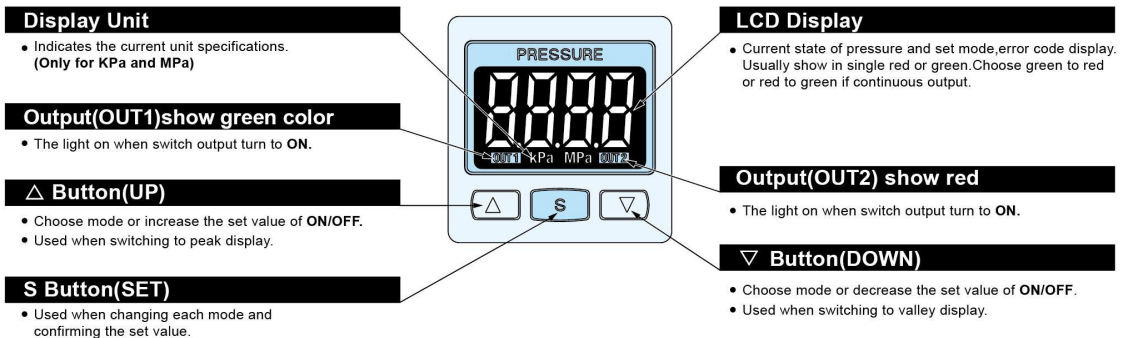
High Precision Digital Pressure Switch ZSE30A(F)/ISE30A SERIES



How To Order



Name



High Precision Digital Pressure Switch

ZSE30A(F)/ISE30A SERIES

Specification

Model	ZSE30AF (Mixed Pressure)	ZSE30A (Vacuum pressure)	ISE30A (Positive pressure)
Rated Pressure Range	-100.0~100.0kPa	0~-101kPa	0.0~1.000MPa
Set Pressure Range	-101.0~101.0kPa	-101.3~10.0kPa	-0.100~1.000MPa
Pressure Resistant	300kPa		1.5MPa
Fluid	Air, Non-corrosive, Non-flammability		
Pressure Unit Set Minimum Scale	kPa	0.1	-
	MPa	-	0.001
	kgf/cm ²	0.001	0.01
	bar	0.001	0.01
	psi	0.01	0.1
	inHg	0.1	-
	mmHg	1	-
Voltage	12 to 24V DC \pm 10%, Ripple peak below 10%		
Consumption Current	\leq 40mA Below (No Load)		
Switch Output	2 NPN open-controller output Max. Load current: 125mA Max. Supply voltage: 30VDC Internal pressure drop: 1.5V below	2 PNP open-controller output Max. Load current: 125mA Max. Supply voltage: 24VDC Internal pressure drop: 1.5V below	
Repeat Accuracy	\pm 0.2% F.S. \pm 1digit Below		
Differential	Single point setting mode	Adjustable (*1)	
	Differential mode		
	Window comparison mode		
Reaction Time	\leq 2.5ms (Function to prevent misoperation: 25ms, 100ms, 250ms, 500ms, 1000ms, 1500ms optional)		
Output Short Circuit Protection	Yes		
Display	3 Colors(red/green/orange) display (Sampling rate: 5times/second)		
Display Accuracy	\leq \pm 2% F.S. \pm 1digit (Ambient temperature: 25 \pm 3°C)		
Action Indicator Light	Orange color(1&2 indicator light) OUT1 OUT2		
Linear Analog Output [Voltage output(*2)]	Output voltage: 1~5V \leq \pm 2.5%F.S. (Rated pressure range) Linearity: \leq \pm 1%F.S. Output impedance about 1k Ω		
Linear analog output [Voltage output(*3)]	Output current: 4~20mA \leq \pm 2.5%F.S. (Rated pressure range) Linearity: \leq \pm 1%F.S. Maximum load impedance: 300 Ω (Voltage is 12V) 600 Ω (Voltage is 24V) Minimum load impedance: 50 Ω		
Environmental Resistant	Protection level	IP40	
	Ambient temperature	Action: 0~50°C, Save: -10~60°C (No dew or Unfrozen)	
	Ambient humidity	Action and Save: 35~85%RH (No dew)	
	Pressure resistant	1000V AC 1minute(Between leads and plastic shell)	
	Insulation resistance	500M Ω Above(500V DC)(Between leads and plastic shell)	
	Vibration resistant	Complex amplitude 1.5mm,Every minute 10Hz~55Hz~10Hz , 2 hours in every direction(X , Y , Z)	
	Shock proof	100m/s ² (10G) 3 Hours in every direction(X , Y , Z)	
Temperature characteristic	\leq \pm 2.5%F.S. Compare reference temperature 25°C (between 0-50°C)		
Connection diameter	R1M: R1/8", M5; T1M: 1/8" NPT, 10-32UNF; G1M: G1/8", M5		
Wire Specification	Oil resistant PVC wire (0.15mm ²)		
Weight	About 80g(include 2meters wire)		

PS:1.Single point setting mode and window comparison mode can be adjusted for 1-8digits.

2.When the voltage output is selected, there is no current output, and only one of the two output forms can be selected.

3.There is no voltage output when current output is selected, and only one of the two output forms can be selected.

High Precision Digital Pressure Switch

ZSE30A(F)/ISE30A SERIES

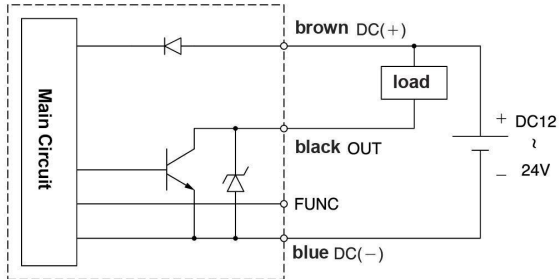
Internal Circuit And Wiring Ratio

Z/ISE30A(F) - □ - □ - □ - □ - □ - □

Output Specification

N

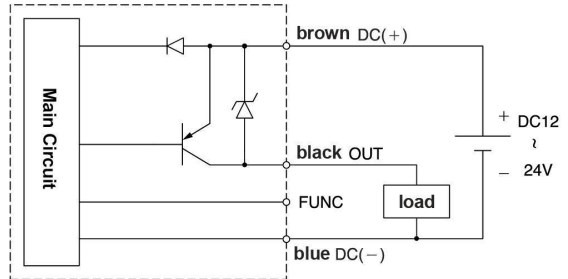
NPN(1 Output)



Max.28V, 80mA
Residual voltage below 1V

P

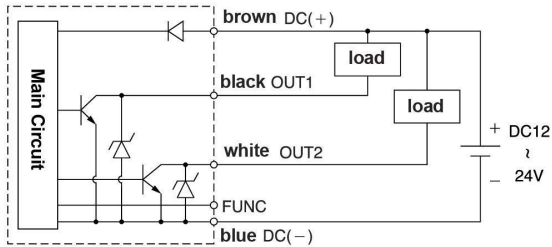
PNP(1 Output)



Max.80mA
Residual voltage below 1V

A

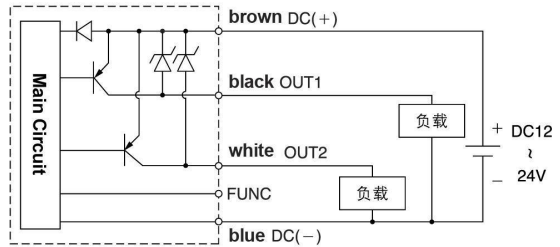
NPN(2 Output)



Max.28V, 80mA
Residual voltage below 1V

B

PNP(2 Output)



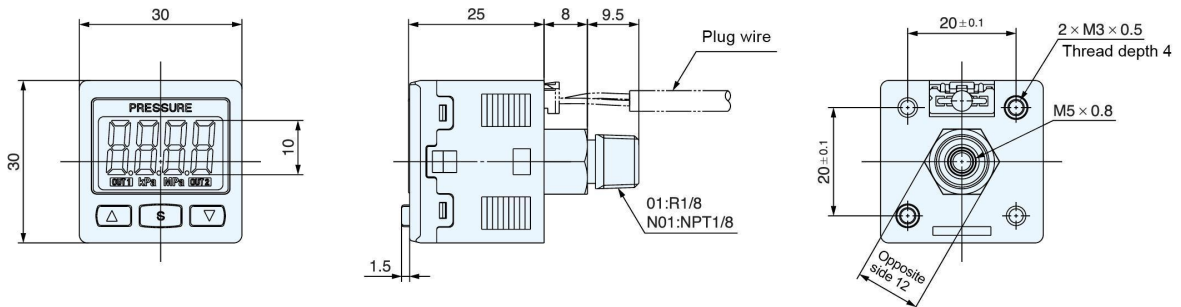
Max.80mA
Residual voltage below 1V

Dimension

Z/ISE30A(F) - □ - □ - □ - □ - □ - □

Tube Specification

01 / N01

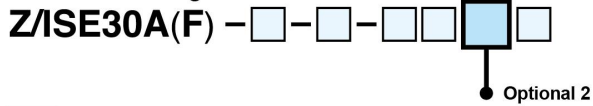


High Precision Digital Pressure Switch

ZSE30A(F)/ISE30A SERIES

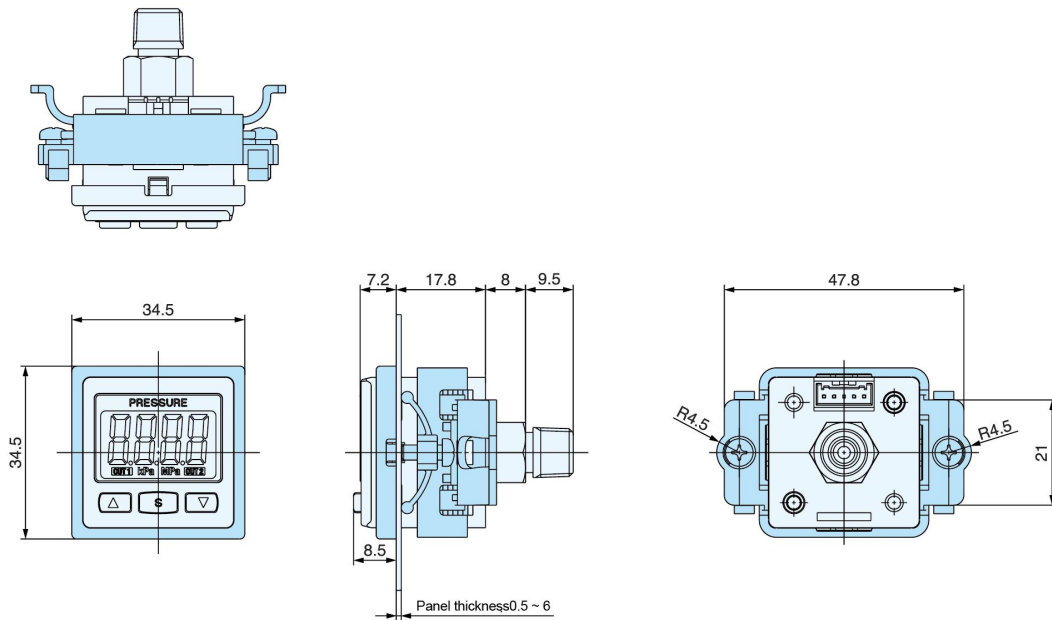
Dimension

Panel Mounting



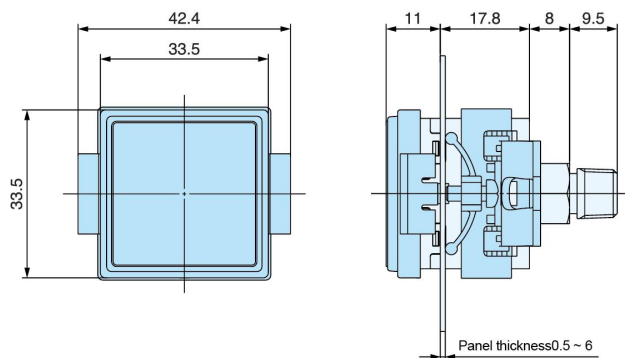
B

Panel Mount Connector
(Optional monomer model: ZS-27-C)



D

Panel Mount Connector + Front Protective Cover
(Optional monomer model: ZS-27-D)



High Precision Digital Pressure Switch

ZSE30A(F)/ISE30A SERIES

Panel Cut-out Size
1pcs mounting

