

C-ZP SERIES

Vacuum Pad With Lock Ring (ø9 ~ ø50) Adaptor

Dimensions

(mm)

Vacuum pad with lock ring										Material: NBR(N), Silicone(S)																																																																																																				
B 2-stage bellows 10,13,16			B 2-stage bellows 20,25,32			B 2-stage bellows 40,50																																																																																																								
<table border="1"> <thead> <tr> <th>Model</th> <th>øA</th> <th>øB</th> <th>øC</th> <th>øD</th> <th>E</th> <th>P</th> <th>Y</th> <th>Weight(g)</th> </tr> </thead> <tbody> <tr> <td>C-ZP10B □</td> <td>10</td> <td>12</td> <td>6</td> <td>14</td> <td>11.7</td> <td>16</td> <td>5.5</td> <td>2.8</td> </tr> <tr> <td>C-ZP13B □</td> <td>13</td> <td>15</td> <td>9</td> <td>19</td> <td>14.2</td> <td>18.5</td> <td>7.5</td> <td>4.4</td> </tr> <tr> <td>C-ZP16B □</td> <td>16</td> <td>18</td> <td>10</td> <td>21</td> <td>15.7</td> <td>20</td> <td>8.5</td> <td>4.7</td> </tr> </tbody> </table>			Model	øA	øB	øC	øD	E	P	Y	Weight(g)	C-ZP10B □	10	12	6	14	11.7	16	5.5	2.8	C-ZP13B □	13	15	9	19	14.2	18.5	7.5	4.4	C-ZP16B □	16	18	10	21	15.7	20	8.5	4.7	<table border="1"> <thead> <tr> <th>Model</th> <th>øA</th> <th>øB</th> <th>øC</th> <th>øD</th> <th>E</th> <th>P</th> <th>Y</th> <th>Weight(g)</th> </tr> </thead> <tbody> <tr> <td>C-ZP20B □</td> <td>20</td> <td>22</td> <td>12</td> <td>25</td> <td>19</td> <td>23.5</td> <td>10.5</td> <td>5.4</td> </tr> <tr> <td>C-ZP25B □</td> <td>25</td> <td>27</td> <td>16</td> <td>28</td> <td>19.5</td> <td>24</td> <td>14</td> <td>6.4</td> </tr> <tr> <td>C-ZP32B □</td> <td>32</td> <td>34</td> <td>19</td> <td>37</td> <td>24.5</td> <td>29</td> <td>14</td> <td>8.8</td> </tr> </tbody> </table>			Model	øA	øB	øC	øD	E	P	Y	Weight(g)	C-ZP20B □	20	22	12	25	19	23.5	10.5	5.4	C-ZP25B □	25	27	16	28	19.5	24	14	6.4	C-ZP32B □	32	34	19	37	24.5	29	14	8.8	<table border="1"> <thead> <tr> <th>Model</th> <th>øA</th> <th>øB</th> <th>øC</th> <th>øD</th> <th>E</th> <th>P</th> <th>Y</th> <th>Weight(g)</th> </tr> </thead> <tbody> <tr> <td>C-ZP40B □</td> <td>40</td> <td>43</td> <td>24</td> <td>48</td> <td>29.2</td> <td>34</td> <td>16</td> <td>16.3</td> </tr> <tr> <td>C-ZP50B □</td> <td>50</td> <td>53</td> <td>32</td> <td>57</td> <td>33.2</td> <td>38</td> <td>19</td> <td>21.5</td> </tr> </tbody> </table>			Model	øA	øB	øC	øD	E	P	Y	Weight(g)	C-ZP40B □	40	43	24	48	29.2	34	16	16.3	C-ZP50B □	50	53	32	57	33.2	38	19	21.5			
Model	øA	øB	øC	øD	E	P	Y	Weight(g)																																																																																																						
C-ZP10B □	10	12	6	14	11.7	16	5.5	2.8																																																																																																						
C-ZP13B □	13	15	9	19	14.2	18.5	7.5	4.4																																																																																																						
C-ZP16B □	16	18	10	21	15.7	20	8.5	4.7																																																																																																						
Model	øA	øB	øC	øD	E	P	Y	Weight(g)																																																																																																						
C-ZP20B □	20	22	12	25	19	23.5	10.5	5.4																																																																																																						
C-ZP25B □	25	27	16	28	19.5	24	14	6.4																																																																																																						
C-ZP32B □	32	34	19	37	24.5	29	14	8.8																																																																																																						
Model	øA	øB	øC	øD	E	P	Y	Weight(g)																																																																																																						
C-ZP40B □	40	43	24	48	29.2	34	16	16.3																																																																																																						
C-ZP50B □	50	53	32	57	33.2	38	19	21.5																																																																																																						
J 3-stage bellows 09,14,16			J 4-stage bellows 25,30																																																																																																											
<table border="1"> <thead> <tr> <th>Model</th> <th>øA</th> <th>øB</th> <th>øC</th> <th>øD</th> <th>øE</th> <th>F</th> <th>P</th> <th>Y</th> <th>Weight(g)</th> </tr> </thead> <tbody> <tr> <td>C-ZP09J □</td> <td>9</td> <td>10</td> <td>10</td> <td>3</td> <td>3</td> <td>13.7</td> <td>18</td> <td>7.7</td> <td>2.8</td> </tr> <tr> <td>C-ZP14J □</td> <td>14</td> <td>15</td> <td>15</td> <td>4</td> <td>5.2</td> <td>19.7</td> <td>24</td> <td>15</td> <td>3.3</td> </tr> <tr> <td>C-ZP16J □</td> <td>16</td> <td>17.5</td> <td>18</td> <td>4</td> <td>7.2</td> <td></td> <td></td> <td></td> <td></td> </tr> </tbody> </table>			Model	øA	øB	øC	øD	øE	F	P	Y	Weight(g)	C-ZP09J □	9	10	10	3	3	13.7	18	7.7	2.8	C-ZP14J □	14	15	15	4	5.2	19.7	24	15	3.3	C-ZP16J □	16	17.5	18	4	7.2					<table border="1"> <thead> <tr> <th>Model</th> <th>øA</th> <th>øB</th> <th>øC</th> <th>øE</th> <th>F</th> <th>P</th> <th>Y</th> <th>Weight(g)</th> </tr> </thead> <tbody> <tr> <td>C-ZP25J □</td> <td>25</td> <td>26</td> <td>27</td> <td>10.2</td> <td>38</td> <td>42.5</td> <td>32.5</td> <td>9.1</td> </tr> <tr> <td>C-ZP30J □</td> <td>30</td> <td>33</td> <td>32</td> <td>13.8</td> <td>19.7</td> <td>44.5</td> <td>38</td> <td>12.3</td> </tr> </tbody> </table>			Model	øA	øB	øC	øE	F	P	Y	Weight(g)	C-ZP25J □	25	26	27	10.2	38	42.5	32.5	9.1	C-ZP30J □	30	33	32	13.8	19.7	44.5	38	12.3																																						
Model	øA	øB	øC	øD	øE	F	P	Y	Weight(g)																																																																																																					
C-ZP09J □	9	10	10	3	3	13.7	18	7.7	2.8																																																																																																					
C-ZP14J □	14	15	15	4	5.2	19.7	24	15	3.3																																																																																																					
C-ZP16J □	16	17.5	18	4	7.2																																																																																																									
Model	øA	øB	øC	øE	F	P	Y	Weight(g)																																																																																																						
C-ZP25J □	25	26	27	10.2	38	42.5	32.5	9.1																																																																																																						
C-ZP30J □	30	33	32	13.8	19.7	44.5	38	12.3																																																																																																						

Adapter																																																																																											
Adapter with one-touch fitting with male thread A6,A8			Adapter with one-touch fitting with female thread B5,B6,B8																																																																																								
<table border="1"> <thead> <tr> <th>Model</th> <th>A</th> <th>B</th> <th>øC</th> <th>E</th> <th>L</th> <th>Weight (g)</th> </tr> </thead> <tbody> <tr> <td>ZPRL-04-A6</td> <td rowspan="3">M6x1.0</td> <td>23.3</td> <td>4</td> <td rowspan="3">8</td> <td rowspan="3">54.5</td> <td>31.1</td> </tr> <tr> <td>ZPRL-06-A6</td> <td>24.3</td> <td>6</td> <td>31.9</td> </tr> <tr> <td>ZPRL-08-A6</td> <td>26.2</td> <td>8</td> <td>32.7</td> </tr> <tr> <td>ZPRL-04-A8</td> <td rowspan="3">M8x1.0</td> <td>23.3</td> <td>4</td> <td rowspan="3">12</td> <td rowspan="3">44.5</td> <td>33.7</td> </tr> <tr> <td>ZPRL-06-A8</td> <td>24.3</td> <td>6</td> <td>34.1</td> </tr> <tr> <td>ZPRL-08-A8</td> <td>26.2</td> <td>8</td> <td>35</td> </tr> </tbody> </table>			Model	A	B	øC	E	L	Weight (g)	ZPRL-04-A6	M6x1.0	23.3	4	8	54.5	31.1	ZPRL-06-A6	24.3	6	31.9	ZPRL-08-A6	26.2	8	32.7	ZPRL-04-A8	M8x1.0	23.3	4	12	44.5	33.7	ZPRL-06-A8	24.3	6	34.1	ZPRL-08-A8	26.2	8	35	<table border="1"> <thead> <tr> <th>Model</th> <th>A</th> <th>B</th> <th>øC</th> <th>D</th> <th>Weight (g)</th> </tr> </thead> <tbody> <tr> <td>ZPRL-04-B5</td> <td rowspan="3">M5x0.8</td> <td>23.3</td> <td>4</td> <td rowspan="3">5</td> <td>24</td> </tr> <tr> <td>ZPRL-06-B5</td> <td>24.3</td> <td>6</td> <td>24.7</td> </tr> <tr> <td>ZPRL-08-B5</td> <td>26.3</td> <td>8</td> <td>25.3</td> </tr> <tr> <td>ZPRL-04-B6</td> <td rowspan="3">M6x1.0</td> <td>23.3</td> <td>4</td> <td rowspan="3">6</td> <td>23</td> </tr> <tr> <td>ZPRL-06-B6</td> <td>24.3</td> <td>6</td> <td>24</td> </tr> <tr> <td>ZPRL-08-B6</td> <td>26.2</td> <td>8</td> <td>25</td> </tr> <tr> <td>ZPRL-04-B8</td> <td rowspan="3">M8x1.25</td> <td>23.3</td> <td>4</td> <td rowspan="3">8</td> <td>21.8</td> </tr> <tr> <td>ZPRL-06-B8</td> <td>24.3</td> <td>6</td> <td>22.6</td> </tr> <tr> <td>ZPRL-08-B8</td> <td>26.2</td> <td>8</td> <td>23.4</td> </tr> </tbody> </table>				Model	A	B	øC	D	Weight (g)	ZPRL-04-B5	M5x0.8	23.3	4	5	24	ZPRL-06-B5	24.3	6	24.7	ZPRL-08-B5	26.3	8	25.3	ZPRL-04-B6	M6x1.0	23.3	4	6	23	ZPRL-06-B6	24.3	6	24	ZPRL-08-B6	26.2	8	25	ZPRL-04-B8	M8x1.25	23.3	4	8	21.8	ZPRL-06-B8	24.3	6	22.6	ZPRL-08-B8	26.2	8	23.4
Model	A	B	øC	E	L	Weight (g)																																																																																					
ZPRL-04-A6	M6x1.0	23.3	4	8	54.5	31.1																																																																																					
ZPRL-06-A6		24.3	6			31.9																																																																																					
ZPRL-08-A6		26.2	8			32.7																																																																																					
ZPRL-04-A8	M8x1.0	23.3	4	12	44.5	33.7																																																																																					
ZPRL-06-A8		24.3	6			34.1																																																																																					
ZPRL-08-A8		26.2	8			35																																																																																					
Model	A	B	øC	D	Weight (g)																																																																																						
ZPRL-04-B5	M5x0.8	23.3	4	5	24																																																																																						
ZPRL-06-B5		24.3	6		24.7																																																																																						
ZPRL-08-B5		26.3	8		25.3																																																																																						
ZPRL-04-B6	M6x1.0	23.3	4	6	23																																																																																						
ZPRL-06-B6		24.3	6		24																																																																																						
ZPRL-08-B6		26.2	8		25																																																																																						
ZPRL-04-B8	M8x1.25	23.3	4	8	21.8																																																																																						
ZPRL-06-B8		24.3	6		22.6																																																																																						
ZPRL-08-B8		26.2	8		23.4																																																																																						

Hexagon male connector with one-touch fitting							Hexagon female connector with one-touch fitting							Female thread with one-touch fitting																																																																																
<table border="1"> <thead> <tr> <th>øD</th> <th>Model</th> <th>øB</th> <th>H</th> <th>L</th> <th>Q</th> <th>Weight(g)</th> </tr> </thead> <tbody> <tr> <td>6</td> <td>KQ2H06-U01-B</td> <td>5</td> <td>12</td> <td>19.5</td> <td>14.5</td> <td>6.2</td> </tr> <tr> <td>8</td> <td>KQ2H08-U01-B</td> <td>5.8</td> <td>14</td> <td>25</td> <td>20.5</td> <td>12.1</td> </tr> </tbody> </table>							øD	Model	øB	H	L	Q	Weight(g)	6	KQ2H06-U01-B	5	12	19.5	14.5	6.2	8	KQ2H08-U01-B	5.8	14	25	20.5	12.1	<table border="1"> <thead> <tr> <th>øD</th> <th>Model</th> <th>øB</th> <th>øC</th> <th>H</th> <th>L</th> <th>Q</th> <th>Weight(g)</th> </tr> </thead> <tbody> <tr> <td>6</td> <td>KQ2S06-U01-B</td> <td>3.8</td> <td>12</td> <td>4</td> <td>24</td> <td>19</td> <td>8</td> </tr> <tr> <td>8</td> <td>KQ2S08-U01-B</td> <td>4.8</td> <td>14</td> <td>5</td> <td>27.5</td> <td>22.5</td> <td>11</td> </tr> </tbody> </table>							øD	Model	øB	øC	H	L	Q	Weight(g)	6	KQ2S06-U01-B	3.8	12	4	24	19	8	8	KQ2S08-U01-B	4.8	14	5	27.5	22.5	11	<table border="1"> <thead> <tr> <th>øD</th> <th>Model</th> <th>A</th> <th>H</th> <th>L</th> <th>Weight(g)</th> </tr> </thead> <tbody> <tr> <td rowspan="2">4</td> <td>KJF04-M5-B</td> <td>M5x0.8</td> <td rowspan="2">8</td> <td>18.8</td> <td>3.8</td> </tr> <tr> <td>KJF04-M6-B</td> <td>M6x1.0</td> <td>19.3</td> <td>3.2</td> </tr> <tr> <td rowspan="3">6</td> <td>KJF06-M5-B</td> <td>M5x0.8</td> <td rowspan="3">10</td> <td>18</td> <td>5.2</td> </tr> <tr> <td>KJF06-M6-B</td> <td>M6x1.0</td> <td>20</td> <td>6.6</td> </tr> <tr> <td>KJF06-M8-B</td> <td>M8x1.0</td> <td>12</td> <td>21</td> <td>9.6</td> </tr> </tbody> </table>					øD	Model	A	H	L	Weight(g)	4	KJF04-M5-B	M5x0.8	8	18.8	3.8	KJF04-M6-B	M6x1.0	19.3	3.2	6	KJF06-M5-B	M5x0.8	10	18	5.2	KJF06-M6-B	M6x1.0	20	6.6	KJF06-M8-B	M8x1.0	12	21	9.6
øD	Model	øB	H	L	Q	Weight(g)																																																																																								
6	KQ2H06-U01-B	5	12	19.5	14.5	6.2																																																																																								
8	KQ2H08-U01-B	5.8	14	25	20.5	12.1																																																																																								
øD	Model	øB	øC	H	L	Q	Weight(g)																																																																																							
6	KQ2S06-U01-B	3.8	12	4	24	19	8																																																																																							
8	KQ2S08-U01-B	4.8	14	5	27.5	22.5	11																																																																																							
øD	Model	A	H	L	Weight(g)																																																																																									
4	KJF04-M5-B	M5x0.8	8	18.8	3.8																																																																																									
	KJF04-M6-B	M6x1.0		19.3	3.2																																																																																									
6	KJF06-M5-B	M5x0.8	10	18	5.2																																																																																									
	KJF06-M6-B	M6x1.0		20	6.6																																																																																									
	KJF06-M8-B	M8x1.0		12	21	9.6																																																																																								

Vacuum Pad With Lock Ring ($\phi 9 \sim \phi 50$) Adaptor

C-ZP SERIES

Dimensions

(mm)

Adapter for vacuum pad with lock ring									
ZPT2 Vertical vacuum port with male thread A5,A6,A01									
Adapter Model	A	B	C	L	Weight (g)	Applicable Pad			
ZPT2-A5	M5x0.8	7	4	26	4.5	E1 E2 E3			
ZPT2-A6	M6x1.0	8	3	31	5.9	E4 E5			
ZPT2-A01	-	-	-	-	8.5				
ZPT2 Vertical vacuum port with female thread B5,B6,B01									
Adapter Model	A	B			Weight (g)	Applicable Pad			
ZPT2-B5	M5x0.8	5			4	E1 E2 E3			
ZPT2-B6	M6x1.0	6			3.7	E4 E5			
ZPT2-B01	-	-			9				
ZPT3 Vertical vacuum port with male thread A6,A8,A01									
Adapter Model	A	B	C	D	L	Weight (g)	Applicable Pad		
ZPT3-A6	M6x1.0	5	8	8	31	6	F1 F2 F3		
ZPT3-A8	M8x1.0	10	12	12	26	13.7	F4 F5		
ZPT3-A01	-	-	-	-	-	8.2			
ZPT3 Vertical vacuum port with female thread B5,B6,B8,B01									
Adapter Model	A	B			Weight (g)	Applicable Pad			
ZPT3-B5	M5x0.8	5			4.6	F1 F2 F3			
ZPT3-B6	M6x1.0	6			4.3	F4 F5			
ZPT3-B8	M8x1.25	8			11.4				
ZPT3-B01	Rc1/8	6.2			9.6				
ZPT4 Vertical vacuum port with male thread A6,A8,A01									
Adapter Model	A	ϕB	C	L	Weight (g)	Applicable Pad			
ZPT4-A6	M6x1.0	3.5	8	32	13.4	G1 G2			
ZPT4-A8	M8x1.0	4.5	12	22	13.2	G3 G4			
ZPT4-A01	-	-	-	-	13.1				
ZPT4 Vertical vacuum port with female thread B6,B8,B01									
适配器型号	A	B	ϕC		重量g	适配吸盘			
ZPT4-B6	M6x1.0	6	4.5		17.4	G1 G2			
ZPT4-B8	M8x1.25	8	6.8		14.9	G3 G4			
ZPT4-B01	Rc1/8	6.2			10.7				
ZPR2 Lateral vacuum port with male thread A5,A6									
Adapter Model	A	B	ϕC	D	E	L	Weight (g)	Model of connector accessories	Applicable Pad
ZPR2-04-A5	M5x0.8	20.6	4	4	7	63	21.5	ZPRS-04-A5	E1 E2 E3
ZPR2-06-A5	M6x1.0	21.6	6	6	8	68	22.3	ZPRS-06-A5	E4 E5
ZPR2-04-A6	M5x0.8	20.6	4	4	7	63	21.5	ZPRS-04-A6	E1 E2 E3
ZPR2-06-A6	M6x1.0	21.6	6	6	8	68	22.3	ZPRS-06-A6	E4 E5
ZPR2 Lateral vacuum port with female thread B5,B6									
Adapter Model	A	B	ϕC	D		Weight (g)	Model of connector accessories	Applicable Pad	
ZPR2-04-B5	M5x0.8	20.6	4	4		15.6	ZPRS-04-B4	E1 E2 E3	
ZPR2-06-B5	M6x1.0	21.6	6	6		16.3	ZPRS-06-B4	E4 E5	
ZPR2-04-B6	M5x0.8	20.6	4	4		15.7	ZPRS-04-B5	E1 E2 E3	
ZPR2-06-B6	M6x1.0	21.6	6	6		16.4	ZPRS-06-B5	E4 E5	

Vacuum Pad With Lock Ring ($\phi 9 \sim \phi 50$) Adaptor

C-ZP SERIES

Dimensions

(mm)

Adapter for vacuum pad with lock ring

Adapter for vacuum pad with lock ring																																								
<p>ZPY3 Lateral vacuum port with male thread A6,A8</p> <p>(k3)</p>	<p>Can be combined with connector accessories</p> <p>Q Connector accessories (a3) M5 \diamond U4,N4,U6,N6</p> <p>Q Connector accessories (a5) M5 \diamond 04,06</p> <p>Q Connector accessories (a6) M5 \diamond 04S,06S</p> <p>Model : ZPY3-\diamond-A₈⁶</p>	<p>ZPY3 Lateral vacuum port with female thread B5,B6,B8</p> <p>(k4)</p>	<p>Can be combined with connector accessories</p> <p>Q Connector accessories (a3) M5 \diamond U4,N4,U6,N6</p> <p>Q Connector accessories (a5) M5 \diamond 04,06</p> <p>Q Connector accessories (a6) M5 \diamond 04S,06S</p> <p>Model : ZPY3-\diamond-B₈⁵</p>	<table border="1"> <thead> <tr> <th>Adapter Model</th> <th>A</th> <th>B</th> <th>Weight (g)</th> <th>Applicable Pad</th> </tr> </thead> <tbody> <tr> <td>ZPY3-B5-A6</td> <td>M6x1.0</td> <td>8</td> <td>31.4</td> <td>F1 F2 F3</td> </tr> <tr> <td>ZPY3-B5-A8</td> <td>M8x1.0</td> <td>12</td> <td>34.4</td> <td>F4 F5</td> </tr> </tbody> </table>	Adapter Model	A	B	Weight (g)	Applicable Pad	ZPY3-B5-A6	M6x1.0	8	31.4	F1 F2 F3	ZPY3-B5-A8	M8x1.0	12	34.4	F4 F5	<table border="1"> <thead> <tr> <th>Adapter Model</th> <th>A</th> <th>B</th> <th>Weight (g)</th> <th>Applicable Pad</th> </tr> </thead> <tbody> <tr> <td>ZPY3-B5-B5</td> <td>M5x0.8</td> <td>5</td> <td>23.5</td> <td>F1 F2 F3</td> </tr> <tr> <td>ZPY3-B5-B6</td> <td>M6x1.0</td> <td>6</td> <td>23.8</td> <td>F4 F5</td> </tr> <tr> <td>ZPY3-B5-B8</td> <td>M8x1.25</td> <td>8</td> <td>21.7</td> <td>F4 F5</td> </tr> </tbody> </table>	Adapter Model	A	B	Weight (g)	Applicable Pad	ZPY3-B5-B5	M5x0.8	5	23.5	F1 F2 F3	ZPY3-B5-B6	M6x1.0	6	23.8	F4 F5	ZPY3-B5-B8	M8x1.25	8	21.7	F4 F5
Adapter Model	A	B	Weight (g)	Applicable Pad																																				
ZPY3-B5-A6	M6x1.0	8	31.4	F1 F2 F3																																				
ZPY3-B5-A8	M8x1.0	12	34.4	F4 F5																																				
Adapter Model	A	B	Weight (g)	Applicable Pad																																				
ZPY3-B5-B5	M5x0.8	5	23.5	F1 F2 F3																																				
ZPY3-B5-B6	M6x1.0	6	23.8	F4 F5																																				
ZPY3-B5-B8	M8x1.25	8	21.7	F4 F5																																				
<p>ZPY4 Lateral vacuum port with male thread A6,A8</p> <p>(k5)</p>	<p>Can be combined with connector accessories</p> <p>Q Connector accessories (a3) M5 \diamond U6,N6</p> <p>Q Connector accessories (a5) M5 \diamond 06</p> <p>Q Connector accessories (a6) M5 \diamond 06S</p> <p>Model : ZPY4-\diamond-A₈⁶</p>	<p>ZPY4 Lateral vacuum port with female thread B6,B8</p> <p>(k6)</p>	<p>Can be combined with connector accessories</p> <p>Q Connector accessories (a3) M5 \diamond U6,N6</p> <p>Q Connector accessories (a5) M5 \diamond 06</p> <p>Q Connector accessories (a6) M5 \diamond 06S</p> <p>Model : ZPY4-\diamond-B₈⁶</p>	<table border="1"> <thead> <tr> <th>Adapter Model</th> <th>A</th> <th>B</th> <th>Weight (g)</th> <th>Applicable Pad</th> </tr> </thead> <tbody> <tr> <td>ZPY4-B5-A6</td> <td>M6x1.0</td> <td>8</td> <td>35.9</td> <td>G1 G2</td> </tr> <tr> <td>ZPY4-B5-A8</td> <td>M8x1.0</td> <td>12</td> <td>38.9</td> <td>G3 G4</td> </tr> </tbody> </table>	Adapter Model	A	B	Weight (g)	Applicable Pad	ZPY4-B5-A6	M6x1.0	8	35.9	G1 G2	ZPY4-B5-A8	M8x1.0	12	38.9	G3 G4	<table border="1"> <thead> <tr> <th>Adapter Model</th> <th>A</th> <th>B</th> <th>Weight (g)</th> <th>Applicable Pad</th> </tr> </thead> <tbody> <tr> <td>ZPY4-B5-B6</td> <td>M6x1.0</td> <td>6</td> <td>28.1</td> <td>G1 G2</td> </tr> <tr> <td>ZPY4-B5-B8</td> <td>M8x1.25</td> <td>8</td> <td>26.1</td> <td>G3 G4</td> </tr> </tbody> </table>	Adapter Model	A	B	Weight (g)	Applicable Pad	ZPY4-B5-B6	M6x1.0	6	28.1	G1 G2	ZPY4-B5-B8	M8x1.25	8	26.1	G3 G4					
Adapter Model	A	B	Weight (g)	Applicable Pad																																				
ZPY4-B5-A6	M6x1.0	8	35.9	G1 G2																																				
ZPY4-B5-A8	M8x1.0	12	38.9	G3 G4																																				
Adapter Model	A	B	Weight (g)	Applicable Pad																																				
ZPY4-B5-B6	M6x1.0	6	28.1	G1 G2																																				
ZPY4-B5-B8	M8x1.25	8	26.1	G3 G4																																				

How to order

① Direction of vacuum port
② Diameter
③ Pad type
④ Material
⑦ Connection of vacuum port
⑧ Mounting thread

C-ZP **T** **10** **U** **N** - **B5** -

④ Material <input type="checkbox"/>	
N	NBR
S	Silicone

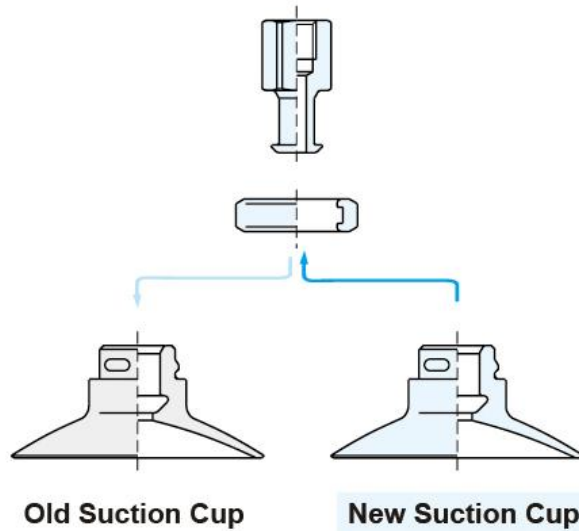
③ Suction Type	② Diameter (mm)	E*					F*			G*		
		09 ø9	10 ø10	13 ø13	14 ø14	16 ø16	20 ø20	25 ø25	30 ø30	32 ø32	40 ø40	50 ø50
U Flat	○	-	●	●	-	●	●	●	-	●	●	●
C With Rib	○	-	●	●	-	●	●	●	-	●	●	●
D Deep	○	-	●	-	-	●	-	●	-	-	●	-
B 2 Bellows	☆	-	●	●	-	●	●	●	-	●	●	●
J 3/4 Bellows	○	●	-	-	●	●	-	●	●	-	-	-

① Direction of vacuum port

Direction	Mounting Thread	Connection of Vacuum Port	Suction Type	⑦ Connection of Vacuum Port		⑧ Mounting Thread	
				External thread	Internal thread	External thread	Internal thread
Vertical	⑦	⑦	A5	M5 x 0.8	●	-	-
			A6	M6 x 1.0	●	●	●
			A8	M8 x 1.0	-	●	●
			A01	R1/8	●	●	●
			B5	M5 x 0.8	●	●	-
			B6	M6 x 1.0	●	●	●
	⑧	⑧	B8	M8 x 1.25	-	●	●
			B01	Rc1/8	●	●	●
			04	ø4	●	●	-
			06	ø6	●	●	●
			08	ø8	-	●	●
			08	ø8	-	●	●
Lateral	⑦	⑦	A5	M5 x 0.8	●	-	-
			A6	M6 x 1.0	●	●	●
			A8	M8 x 1.0	-	●	●
			B5	M5 x 0.8	●	●	-
			B6	M6 x 1.0	●	●	●
			B8	M8 x 1.25	-	●	●
	⑧	⑧	B5	M5 x 0.8	●	●	●
			U4	ø4 PU hose	●	●	-
			N4	ø4 Nylon hose	●	●	-
			U6	ø6 PU hose	●	●	●
			N6	ø6 Nylon hose	●	●	●
			03	ø3	●	-	-
⑦	⑦	23	ø3.2	●	-	-	
		04	ø4	●	●	-	
		06	ø6	●	●	●	
		03S	ø3	●	-	-	
		23S	ø3.2	●	-	-	
		04S	ø4	●	●	-	
⑧	⑧	06S	ø6	●	●	●	
		A5	M5 x 0.8	●	-	-	
		A6	M6 x 1.0	●	●	●	
		A8	M8 x 1.0	-	●	●	
		B5	M5 x 0.8	●	●	-	
		B6	M6 x 1.0	●	●	●	
⑧	⑧	B8	M8 x 1.25	-	●	●	

CHANGE THE SUCTION UP

吸盘属于橡胶件，老化是不可避免的。老化的速度取决于因素使用方法、环境和温度等条件。应进行定期保养。如果发生任何损害、分裂、开裂或磨损等情况，应立即更换。更换时请不要损坏吸盘的外表面。



- STEP:**
1. Take off the ring.
 2. Take off the adapter.
 3. Fix the new suction cup with ring and then insert the adapter with the new suction cup.

